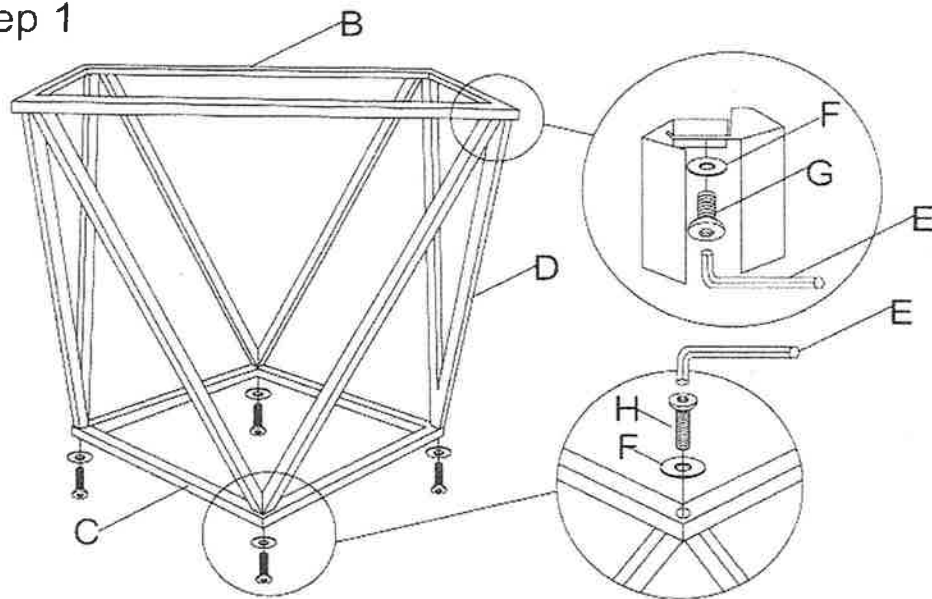
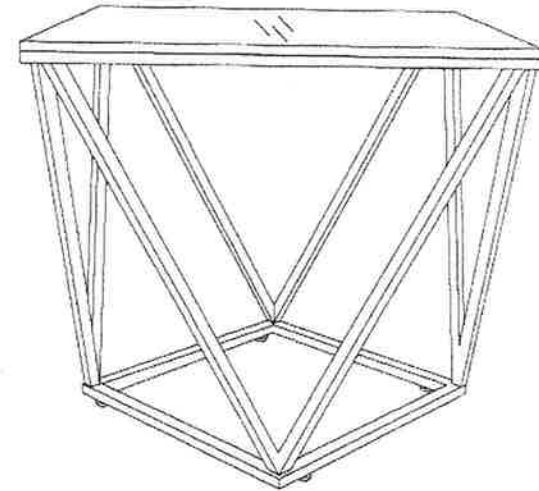


RSTQ-0227E END TABLE ASSEMBLY INSTRUCTION

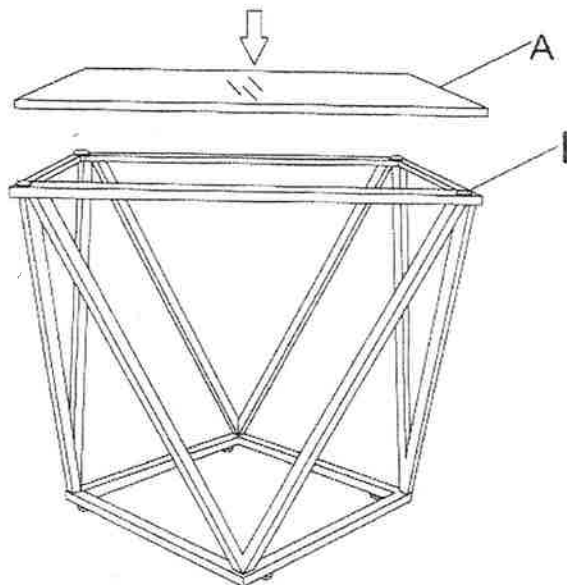
step 1



step 3



step 2



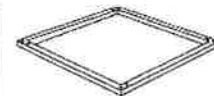
Ax1



Bx1



Cx1



Dx4



Ex1



Fx8



Gx4



Hx4



Ix4

