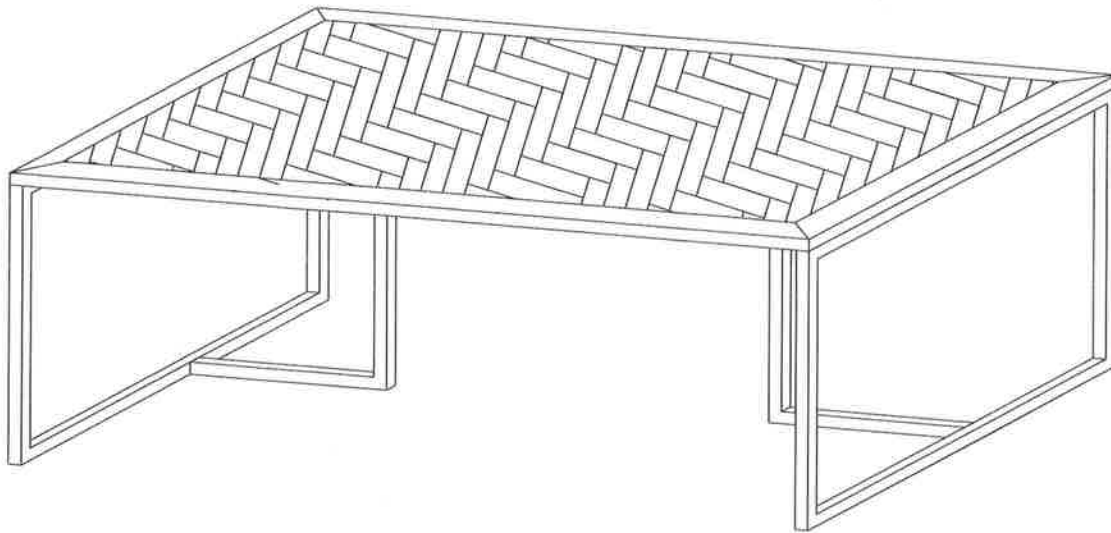

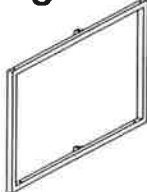








RSTQ-2112081C Coffee Table Assembly Instruction

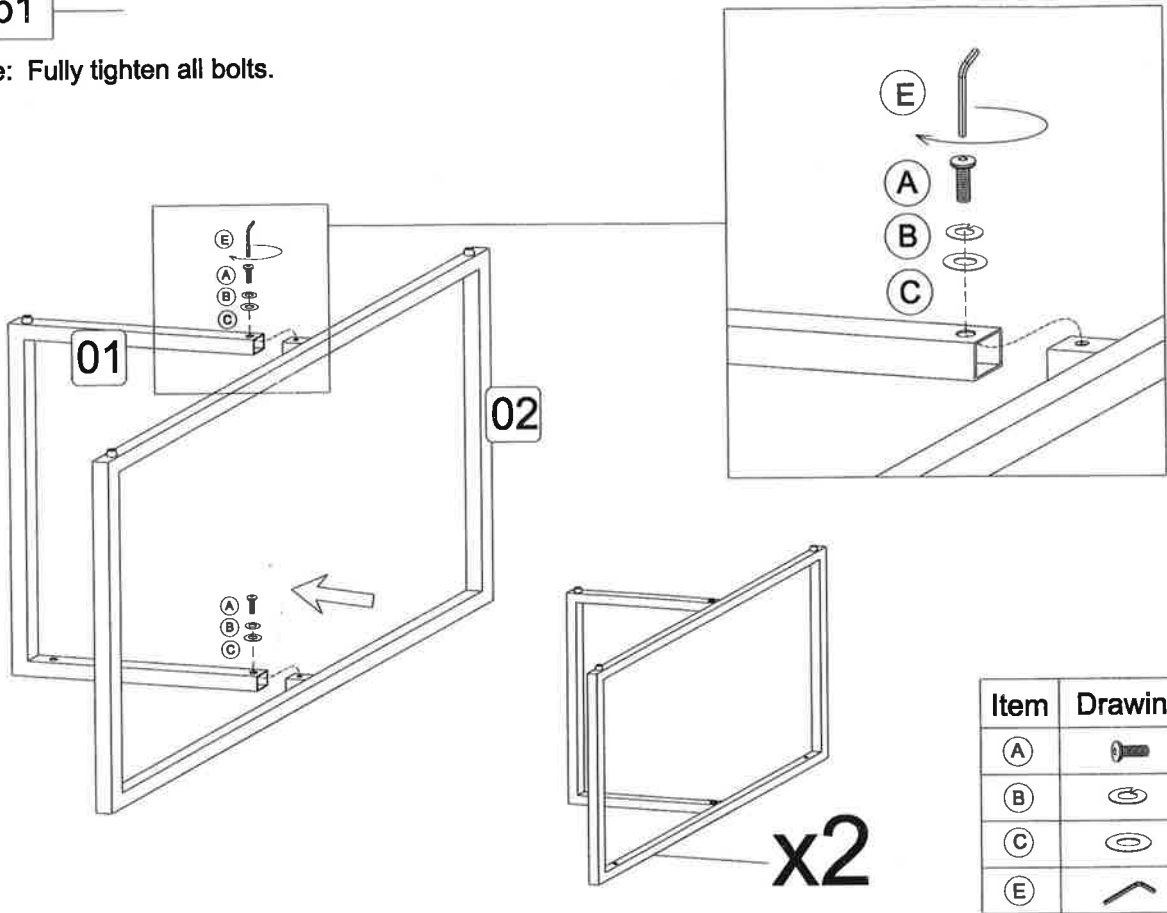


PARTS AND HARDWARE LIST

<p>Stretcher</p> <p>01  x2pcs</p>	<p>Leg</p> <p>02  x2pcs</p>	<p>Top panel</p> <p>03  x1pc</p>
<p>A  x4pcs 5/8"x1/4"</p>	<p>B  x10pcs</p>	<p>C  x10pcs</p>
<p>D  x6pcs 1 1/2"x1/4"</p>	<p>E  x1pc</p>	

Step1

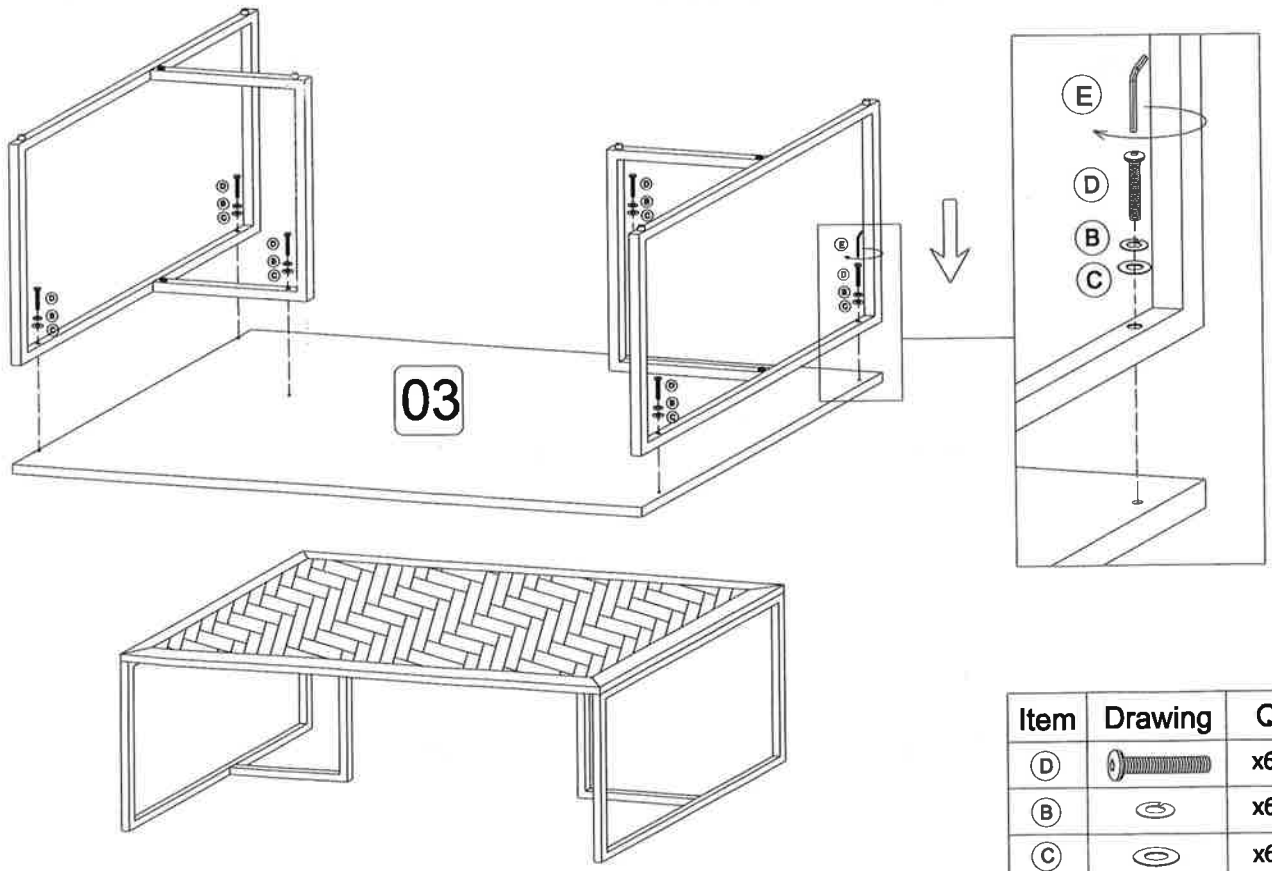
Note: Fully tighten all bolts.



Item	Drawing	Qty
(A)		x4pcs
(B)		x4pcs
(C)		x4pcs
(E)		x1pc

Step2

Note: Fully tighten all bolts.



Item	Drawing	Qty
(D)		x6pcs
(B)		x6pcs
(C)		x6pcs